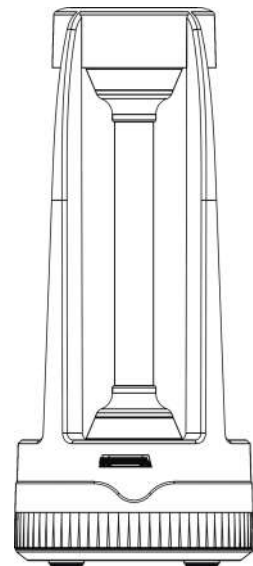


GOLDENSEAUV

QUICK START GUIDE

UVS4



WARNING! POSSIBLE RISK OF INJURY TO EYES AND SKIN.

- Hazardous optical radiation may be emitted from the light source. Do not look at an operating lamp. It may be harmful to the eyes.
- UVC is emitted from the light source. Eye or skin irritation may result from exposure. Use appropriate shielding.
- IR may be emitted from the light source. Do not look at operating lamp.

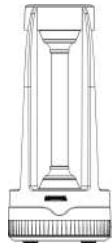


CAUTION!

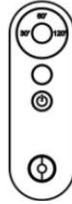
- To avoid eyes and skin exposure to UV light, it is forbidden for animals, plants and all personnel to be present when the UV lamp is on.
- Always disconnect mains supply before removing any fixture covers.
- Keep this device away from rain and moisture.

Thank you for purchasing a GOLDENSEA UV product. This manual is a quick operation guide to get you started. For more information, please always refer to the full version user manual provided.

Before unpacking, please check and be sure that the package is in good condition with no damage on the carton during transportation. In the package, you will find the following:



UVS4
(with UV Tube)



Remote Control

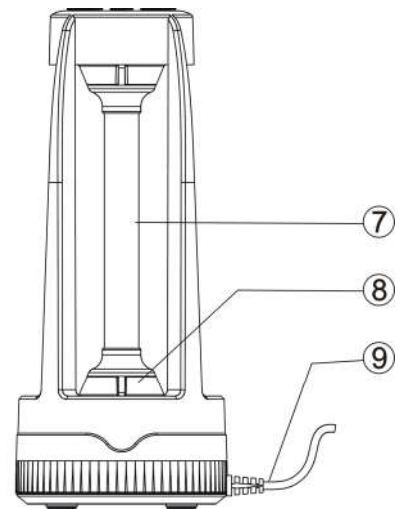
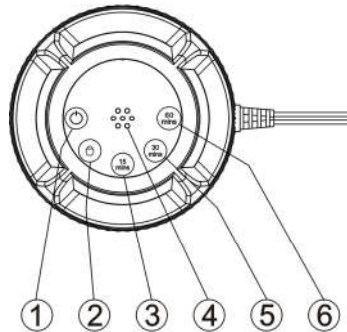


UV Bag

1. Product Information

Voltage	Power	Net Weight	Size
AC100-120V, 50/60Hz AC220-240V, 50/60Hz	7W	0.34 kg	95x95x232mm

- ① Start - touch key
- ② Lock - touch key
- ③ 15 mins - touch key
- ④ Buzzer
- ⑤ 30 mins - touch key
- ⑥ 60 mins - touch key
- ⑦ UV Tube
- ⑧ Lamp Tube Holder
- ⑨ Power Cable



2. Preparation and Notes

- Keep in mind of the following information:

Delayed Start Time	Recommended Disinfection Times/Areas		
30 seconds	15mins/0.55m ²	30mins/1m ²	60mins/2m ²

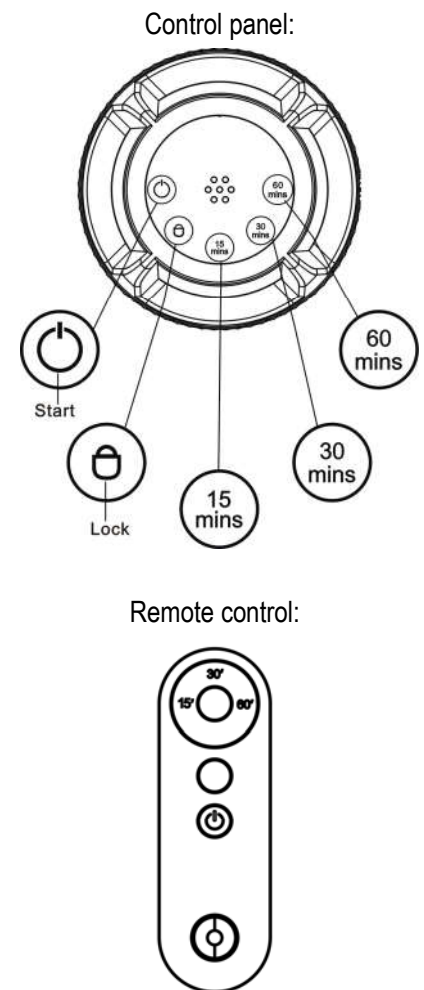
- Make sure the path to exit the disinfection area is clear before starting the device.
- Keep children, pets and plants away from the disinfection area before operating.
- The operator must wear anti-ultraviolet protective clothing and the UV Glasses before operating.
- The operator must leave the disinfection area and close all entrances after starting the device, make sure the entrances are locked or safeguarded during the entire disinfection process.

- For safety reasons, the device was designed with a motion sensor: if the working device detects any movement within 3m, it will immediately deactivate and start continuous audible dual beeps.
- The motion detector can 'see' through walls, the range can be affected by different materials and thickness (metal: isolated; concrete: decreased; glass or wood: no change; reflector: increased).
- For safety reasons, the device was designed with Fall Protection Auto Power Off: when lamp detects a movement of more than 45°, it will automatically power off.

3. Operation

- Switch on the device, unlock the product by long pressing the Start and the Lock touch keys for 3 seconds until there is a beep.
- On either the fixture control panel or supplied remote control: Press the <15 mins>, <30 mins> or <60 mins> touch key/button to select your desired disinfection time, the touch key indicator light turns on. Press the Start touch key/button, audible alarm starts beeping for 30 seconds. You must exit within this 30 seconds.
- The UV tubes will light up once the beeping countdown ends.
- Once the disinfection process ends, the touch key indicator turns off and audible alarm sounds.
- Open the doors and windows to ventilate the disinfected area.

* If the remote control loses pairing with the device, re-do the pairing by pressing the Start button on the remote control and switch on the device for 5 seconds.



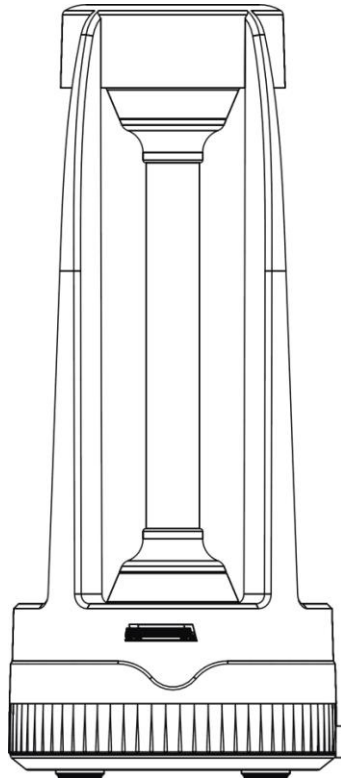
GOLDENSEAUV

Guangzhou Haoyang Electronic Co., Ltd.

E-mail: support@goldenseauv.com; Tel: +86 20 3996 6388

Addr: No.109 Haiyong Road, Shiji Town, Panyu Zone, Guangzhou, China. 511450

GOLDENSEA UV



UVS4

USER MANUAL

KEEP THIS MANUAL FOR FUTURE NEEDS



Thank you for purchasing a GOLDENSEA UV product. You have acquired a powerful and versatile device. We are confident that you will be satisfied with our excellent products and service. For your own safety, please read this user manual carefully before installing and operating the device.

Contents

1. Manual Operation (control panel)	3
2. Remote Control Operation	3
3. Motion Sensor Operation (if the lamp with Motion Sensor)	4
4. Fall Protection Auto Power Off	4
5. Notes	5
6. Suggestion For Disinfection Time	5
7. Warnings	5
8. Product Overview	7
9. Dimensional Drawings	7
10. Replacing The UV Tube	8
11. Troubleshooting Tips	8
12. Features	9
13. Cleaning and Maintenance	10
14. Service	10

Voltage Input: AC 100-120V~, 50/60Hz; AC 220-240V~, 50/60Hz **Power:** 7W; **Product Size:** 232x95x95mm

This device is for household use, applications such as kitchen, bedroom, study, living room, etc.. It shall only be used by adults who are capable of operating this device by following this user manual, and keep children, pets and plants away from the disinfection area before operating.

IMPORTANT SAFEGUARDS

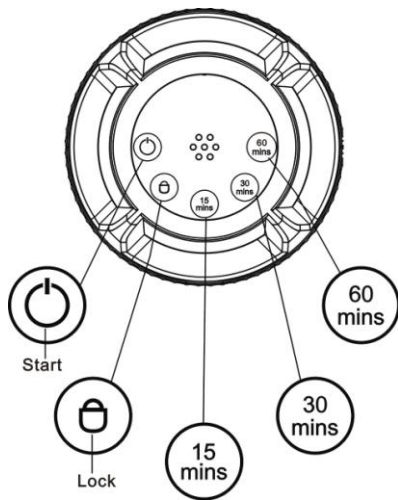
When using electrical equipment, basic safety precautions should always be followed including the following:

READ AND FOLLOW ALL SAFETY INSTRUCTIONS

- a) This equipment is designed for use with germicidal UV radiation sources and UV radiation can pose a risk of personal injury. Overexposure can result in damage to eyes and bare skin. To reduce the risk of overexposure, the operator must wear protective clothing and UV glasses when operating, and make sure the disinfection area is safeguarded during the entire disinfection process.
- b) Maintenance and servicing of this UV generating equipment shall be performed by professional person. Service personnel must wear appropriate Personal Protective Equipment (PPE) if the equipment will be in operation during the maintenance or servicing work. Contact the equipment manufacturer for PPE recommendations and guidance.
- c) When replacing lamps, replace them only with the lamps for which the equipment is marked and intended.
- d) The use of accessory not recommended by the manufacturer may cause an unsafe condition.
- e) Do not use this equipment for other than intended use.
- f) People, pets, and plants should leave the areas when using the disinfection light.
- g) It should be stored well to avoid accidental damage to the sterilizer and personal injury after the sterilization is finished.

1. Manual Operation (control panel)

- 1) Close all the doors and windows.
- 2) Plug-in and power on, unlock the product by long pressing the Start touch key <⏻> and the Lock touch key <🔒> on the device for 3 seconds until there is a beep.
- 3) Select time setting <15 mins>, <30 mins> or <60 mins> by the Time Setting touch key, the touch key indicator light turns on.
- 4) Press the Start touch key, audible alarm starts beeping regularly for 30 seconds. The UV lamp will turn on after the 30 seconds delay when disinfection time is set.
- 5) Once the disinfection process ends, the touch key indicator light turns off and an audible alarm sounds. Open the doors and windows to ventilate the disinfected area.



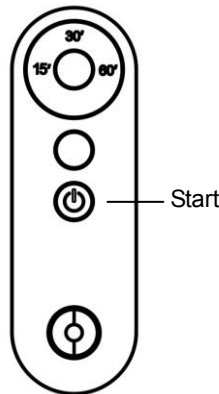
Warning:

Don't look at the disinfection light directly. People, pets and plants should leave the area when using the disinfection light. Ventilate for 30-40 minutes after working.

2. Remote Control Operation

- 1) Close all the doors and windows.
- 2) Plug-in and power on, unlock the product by long pressing the Start button <⏻> on the remote control and the Lock touch key <🔒> on the device for 3 seconds until there is a beep.
- 3) Select time setting <15 mins>, <30 mins> or <60 mins> by the Time Setting button on the remote control, the touch key indicator light on the device turns on.
- 4) Press the Start button, audible alarm starts beeping regularly for 30 seconds. The UV lamp will turn on after the 30 seconds delay when disinfection time is set.
- 5) Once the disinfection process ends, the touch key indicator light on the device turns off and an audible alarm sounds. Open the doors and windows to ventilate the disinfected area.

Note: if the remote control loses pairing with the device, re-do the pairing by pressing the Start button on the remote control and switch on (plug-in) the device for 5 seconds. One remote control can be matched with multiple units of the same model.



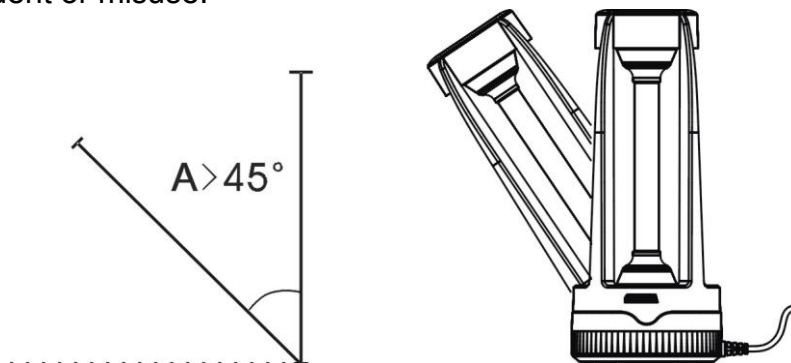
3. Motion Sensor Operation (if the lamp with Motion Sensor)

1. Turn on the UV lamp, select the disinfection time and start, leave the room, after 30 seconds alarming (Di....Di...Di....), the UV lamps will switch on automatically, the motion sensor will be activated.
2. The Motion sensor can 'see' through non-metal materials, such as wood board, plastic, fabrics, etc. But the concrete will influence the motion sensor, and the metal board even can stop the detecting ability. So, when the UV Lamps is working, it will turn off when it detects that someone or something moving around within its detecting range even outside the rooms, and it will turn on again when someone or something is left.
(detecting range: 3m in an open area without any of the above influence factors)

Note: for safety reason, the UV lamp does not work if the motion sensor is defective.

4. Fall Protection Auto Power Off

1. When a working device detects a movement of more than 45°, it will automatically power off, thus preventing heat damage to surrounding objects, should the device fall over by accident or misuse.



2. To make it work again after auto power off, put the device back to the normal upright position, make sure the power plug is still well-connected to the power socket, re-start the operation again from the beginning.

5. Notes

1. Put the UV lamp on a height of 0cm-400cm to get the best disinfection effect. Please do not put the lamp higher than 400cm, as the Motion Sensor cannot detect perfectly.
2. The surface of the lamp should be kept clean.
3. When disinfecting the surface of an object with ultraviolet rays, the surface to be irradiated should be directly irradiated within 1 meter of ultraviolet rays, otherwise it's necessary to increase the irradiation time.
4. The lamp is fragile. Please handle it with care.
5. According to the latest guideline on the diagnosis and treatment released by the National Health Commission, the virus is sensitive to ultraviolet (UV) light and heat, so UV radiation is a quick and effective way of disinfecting rooms against germs and viruses.

According to the guideline, indoor spaces should be disinfected with UV light with an intensity of over 1.5 watts per square meter. An UV lamp can disinfect objects within one meter for at least half an hour. Longer exposure to radiation is needed when the temperature indoors is below 20°C or above 45°C and relative humidity is over 60%. A room should be ventilated after UV disinfection, and people are suggested to enter the room half an hour later.

6. Suggestion For Disinfection Time

Area	Power	Disinfection Time
0.55m ²	7W	15min
1m ²	7W	30min
2m ²	7W	60min



7. Warnings


The UV-C wavelength is 253.7nm, the radiation intensity in 200mm distance is 205.83 uw/cm².

CAUTION: TO REDUCE THE RISK OF FIRE ATTENTION – RISQUE D'INCENDIE
 USE ONLY _ TUV 4W FAM/10X25BOX _ UTILISER UNIQUEMENT LES LAMPES
 LAMPS _ TUV 4W FAM/10X25BOX

Suitable for damp locations
 CONVIENT AUX EMPLACEMENTS HUMIDES

<p>WARNING – RISK OF PERSONAL INJURY</p> <p>THIS EQUIPMENT IS DESIGNED FOR USE WITH GERMICIDAL LAMPS OR UV SOURCES AND MUST BE INSTALLED AND USED IN COMPLIANCE WITH COMPETENT TECHNICAL DIRECTIONS TO PREVENT THE USER'S EYE AND BARE SKIN FROM EXPOSURE TO HARMFUL UV OR OPTICAL RADIATION. PEOPLE, PETS AND PLANT SHOULD LEAVE THE AREAS WHEN USING THE DISINFECTION LIGHT. EYE DAMAGE MAY RESULT FROM DIRECTLY VIEWING THE LIGHT PRODUCED BY THE LAMP IN THIS EQUIPMENT. ALWAYS TURN OFF LAMP BEFORE SERVICING.</p>	<p>Avertissement – RISQUE DE BLESSURES CORPORELLES</p> <p>CET ÉQUIPEMENT EST CONÇU POUR ÊTRE UTILISÉ AVEC DES LAMPES GERMICIDALES OU DES SOURCES UV ET DOIT ÊTRE INSTALLÉ ET UTILISÉ EN CONFORMITÉ AVEC LES DIRECTIVES TECHNIQUES COMPÉTENTES POUR EMPÊCHER L'ŒIL DE L'UTILISATEUR ET LA PEAU NUE DE L'EXPOSITION À DES RAYONS UV OU OPTIQUE NOCIFS. LES PERSONNES, LES ANIMAUX DE COMPAGNIE ET LES PLANTES DEVRAIENT QUITTER LES ZONES LORS DE L'UTILISATION DE LA LUMIÈRE DE DÉSINFECTION. LES DOMMAGES OCULAIRES PEUVENT RÉSULTER DE L'OBSERVATION DIRECTE DE LA LUMIÈRE PRODUITE PAR LA LAMPE DANS CET ÉQUIPEMENT. ÉTEIGNEZ TOUJOURS LA LAMPE AVANT L'ENTRETIEN.</p>
--	---

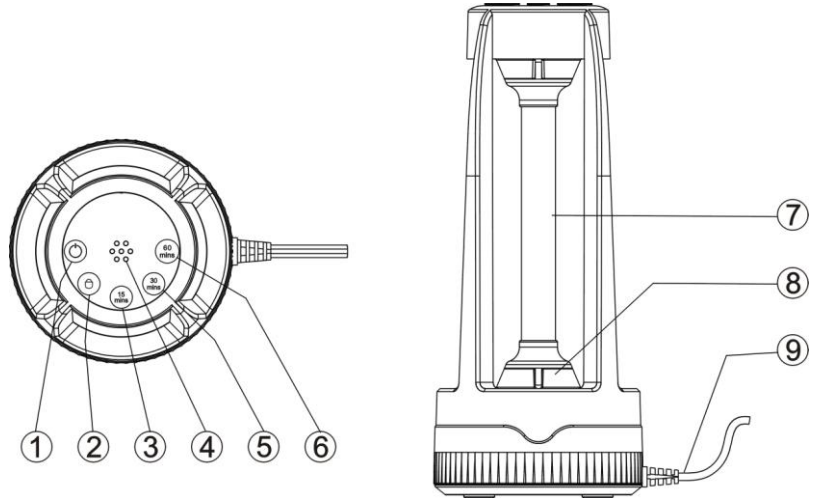
<p>UV-C RISK GROUP 3</p> <p>WARNING: UV-C emitted from this product.</p> <p>Avoid eye and skin exposure to unshielded product.</p> <p>Follow installation instructions and user manual.</p>		<p>GRUPE DE RISQUE UV-C 3</p> <p>AVERTISSEMENT UV-C émis par ce produit.</p> <p>Évitez l'exposition des yeux et de la peau au produit non fumé.</p> <p>Suivez les instructions d'installation et le manuel d'utilisation.</p>	
--	---	--	---

	<p>WARNING-POSSIBLE RISK OF INJURY TO EYES AND SKIN</p> <ul style="list-style-type: none"> • Hazardous optical radiation may be emitted from the light source. Do not stare at operating lamp. May be harmful to the eyes. • UV may be emitted from the light source. Eye or skin irritation may result from exposure. Use appropriate shielding. • IR may be emitted from the light source. Do not stare at operating lamp. <p>Avertissement : risque possible de blessures aux yeux et à la peau</p> <ul style="list-style-type: none"> • Un rayonnement optique dangereux peut être émis par la source lumineuse. Ne pas regarder directement la lampe en fonctionnement. Peut être très nocif pour les yeux. • Des ultra-violets (UV) peuvent être émis par la source lumineuse. Une irritation des yeux ou de la peau peut résulter de l'exposition. Toujours utiliser des protections appropriées. • Des infra-rouges (IR) peuvent être émis par la source lumineuse. Ne pas regarder fixement la lampe en fonctionnement.
---	--

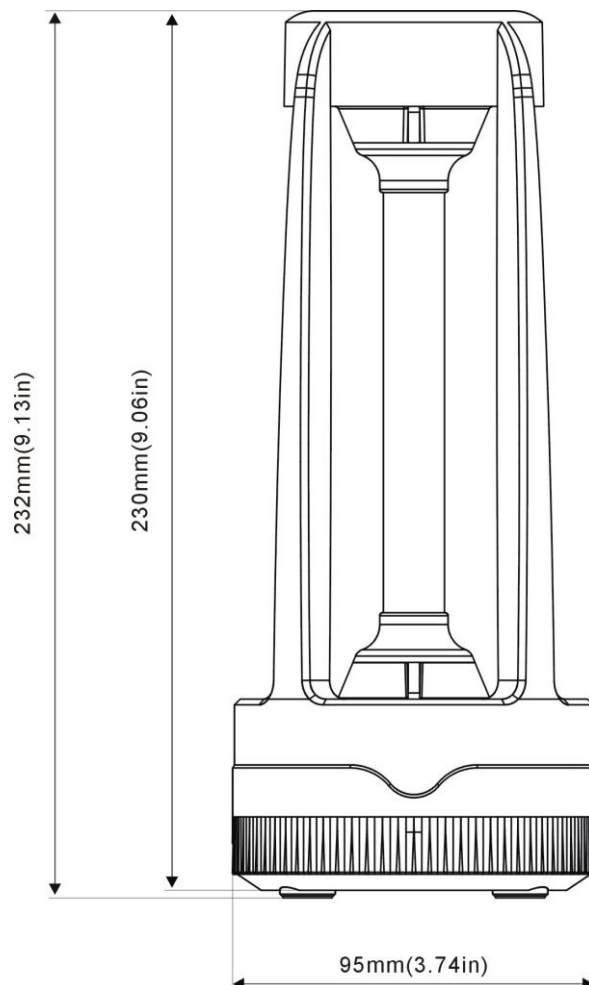
SAVE THESE INSTRUCTIONS

8. Product Overview

- 1) Start - touch key
- 2) Lock - touch key
- 3) 15 mins - touch key
- 4) Buzzer
- 5) 30 mins - touch key
- 6) 60 mins - touch key
- 7) UV Tube
- 8) Lamp Tube Holder
- 9) Power Cable

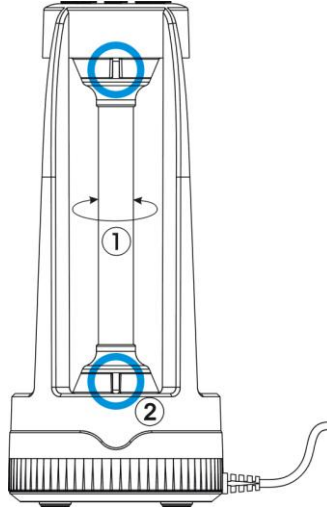


9. Dimensional Drawings



10. Replacing The UV Tube

To maintain the sterilizing efficacy, the UV tube needs to be replaced after 6,000 hours of use.



Steps:

1. Wait for UV tube to cool down (to avoid scalding) after switching off the device.
2. Holding the UV tube and turn it 90° anti clockwise (or clockwise) ① as shown and take it out ② from its holder.

Note: please follow your local toxic and hazardous waste regulations for lamp disposal

3. Insert the new UV tube into the holder and turn the UV tube 90° anti clockwise (or clockwise) until it fits into place correctly and tightly.

Note: direct contact with new UV tube should be avoided as grease from your skin may reduce the efficiency of the UV tube. It is advised to wear protective gloves when handling a new UV tube.

4. The device is now ready for use.

11. Troubleshooting Tips

11.1 What to do if the device doesn't work?

1. Ensure the device is plugged into a working wall socket.
2. Ensure the plug is wired correctly and terminal well-connected.
3. If you still have issues with the device, please contact your local dealer or our customer service for assistance.

11.2 How often should the UV tube be replaced?

1. The UV tube is the core of the product, it should be replaced after 6000 hours of use to maintain the germicidal efficacy.
2. The UV tube is defected if it flashes, please contact your local dealer or our customer

service to order a new UV tube. For replacing the UV tube, please refer to the instructions in this user manual.

3. After use for a period of time, it is normal to find some black spots on both sides of the UV tube.

11.3 The Audio alarm signal for this product:

Status	Audio Alarm
Standby	-
Delayed Start	Beeping for 30 seconds regularly (frequency increase in the countdown 10 seconds)
Lamp Strike	UV Lamp on after 15 seconds when the beeping stops
Emitting (working)	Single beep
Motion Detected	Dual beeps every 10 seconds
End of Cycle	Triple beeps every 10 seconds (in 30 seconds)
Fall Protection	Quadruple beeps every 10 seconds

12. Features

Light Source

- Lamp:
TUV 4W FAM/10X25BOX (PHILIPS)
or
HNS 4W G5(G4T5/OF)PURITEC UV-C Germicidal Low Pressure Lamp (OSRAM)
- Extremely long Life: up to 6,000 H

Features

- Delayed start (30 seconds delayed start)
- Motion sensor
- Audio alarm
- Visual indicator lights (under touch keys)
- 3 disinfection time settings
- Control panel with touch keys
- Through wall remote control
- Fall protection mode
- UVC wavelength: 253.7nm
- Radiation intensity in 200mm distance: 205.83uw/cm²




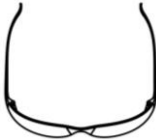

Product Type

Household Ultraviolet disinfection light

Weight

Net weight: 0.34 kg

Accessories List:

UV Tube		Included
UV bag		Included
Remote Control (battery type: CR2025)		Included
UV Glasses (protective eyewear)		Optional
UV Irradiance Meter		Optional

13. Cleaning and Maintenance

1. To ensure the device remains in good condition and does not fail prematurely, regular maintenance, cleaning and checks are required.
2. For cleaning of the device, please use a lint-free cloth.
3. To avoid damage to the device, never use detergent or solvents.
4. Never spray insecticide towards the device, it can discolor or damaged.
5. Should you need any spare parts, please order genuine parts from your local dealer.

14. Service

For all service needs, please contact your local authorized dealer or GOLDENSEA customer service. Our contact details are:

Email: support@goldenseauv.com

Tel: +86 20 3996 6388

Address: No.109 Haiyong Road, Shiji Town, Panyu Zone, Guangzhou, China. 511450

Errors and omissions for all information given in this user manual are expected.

All information is subject to change without prior notice.

GOLDENSEAUM